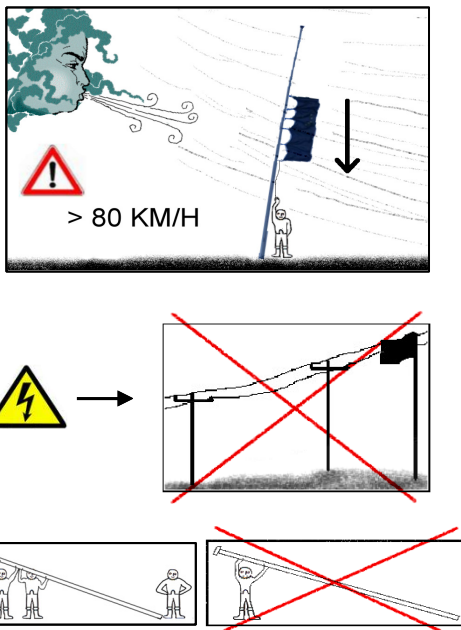
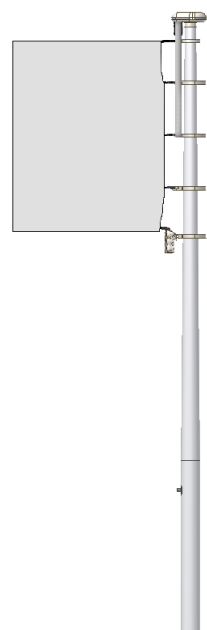



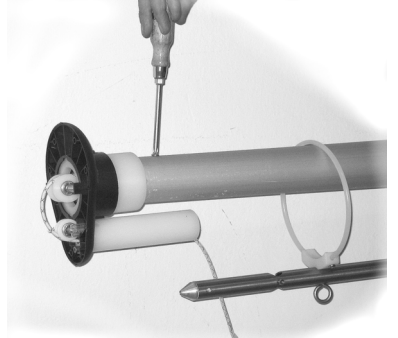
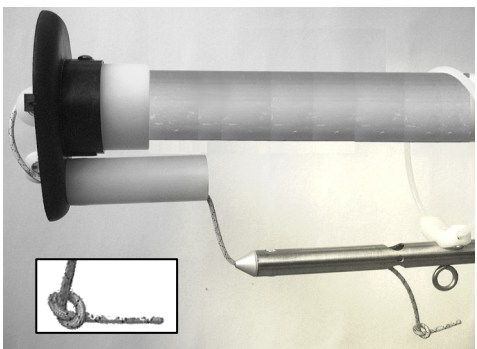
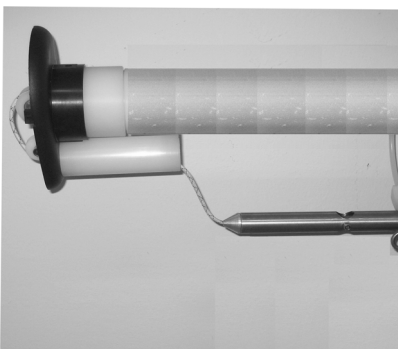
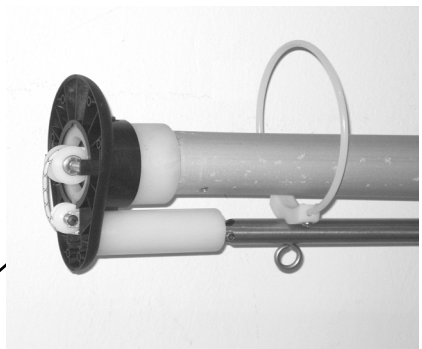
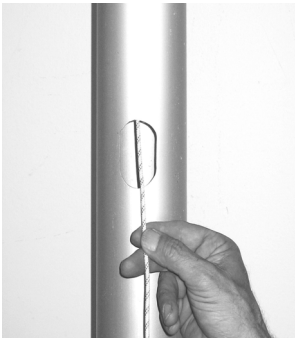
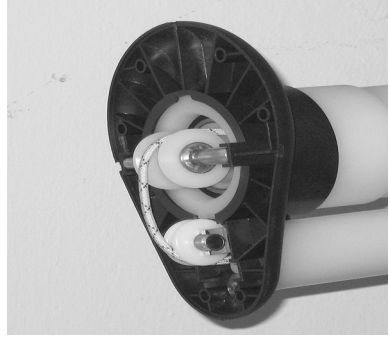


Tornado A (FA 184)

 <p>Top diagram: A person blowing wind towards a vertical pole with a sensor. A warning triangle with an exclamation mark is shown, with the text "> 80 KM/H" below it. An arrow points down from the sensor.</p> <p>Middle diagram: A lightning bolt symbol with an arrow pointing to a diagram of a pole with a sensor and a lightning rod, which is crossed out with a large red 'X'.</p> <p>Bottom diagrams: Two diagrams showing a person holding a long pole. The left one shows the pole being held horizontally, and the right one shows it being held vertically, both crossed out with a large red 'X'.</p>	 <p>A vertical pole with a grey rectangular sensor mounted on top. The pole has several horizontal brackets along its length.</p>	 <p>Top left: A screwdriver.</p> <p>Top right: A black cross symbol (+).</p> <p>Middle: A long metal rod with a ring at each end.</p> <p>Bottom left: A black sensor cap with two screws.</p> <p>Bottom center: A green strap with the text "7x" next to it.</p> <p>Bottom right: A small blue tool and a grey bag.</p>
<p>1.</p> 	<p>2.</p> 	<p>3.</p> 
<p>4.</p> 	<p>5.</p> 	<p>6.</p> 
<p>7.</p> 	<p>8.</p> 	<p>9.</p> 